



ecowasher[®]-SE
Chemical Free Laundry + Cleaning Solution

**User Manual &
Installation Guide**



Welcome to the EcoWasher® Family!

Thank you for choosing EcoWasher!® We're excited to help you transform your cleaning routines, save money, and create a healthier home! Please take time to read through this user guide carefully before operating your EcoWasher®. If you have any questions that we haven't addressed, feel free to contact our support team for more information. We're always happy to help you!

Sincerely,

Julius Toth

EcoWasher Inventor & CEO



PRODUCT INTRODUCTION

Simplify Your Routine, Save Loads of Money & Live Healthier with Award Winning & Lab Proven Technology!

Say goodbye to toxic chemicals and laundry detergent cover-ups! Experience the REAL CLEAN with the all new and improved **EcoWasher® Laundry and Cleaning System**. As a 10 year veteran in the natural cleaning products industry, EcoWasher® uses patented, **hospital trusted** cleaning technology that works with your existing washing machine transform cold tap water into a powerful cleaning agent. By simply attaching to your existing residential style washing machine, EcoWasher® uses your home's water supply to safely generate a super charged H2O solution to **deep clean**, lift dirt and **destroy bacteria** on your clothing, carpets, surfaces and more - without the use of laundry detergent or hot water!

Featured Benefits:

- EcoWasher® quickly and easily attaches to your existing washing machine in 15 minutes or less with little-to-no maintenance needed.
- EcoWasher® works automatically with your homes current cold water supply - no professional plumbing experience or fitting required.
- EcoWasher® uses hospital trusted ozone laundry technology, specifically designed for home use with nearly any residential style washing machine.
- EcoWasher® effectively deep cleans laundry and more without toxic chemicals or hot water.
- Unlike detergent, EcoWasher® is lab tested and proven to destroy germs and bacterial from your laundry in as little as 5 minutes. This includes bacteria from E.Coli, Staph Infection and more!
- EcoWasher® saves the average family of four \$700 or more on annual laundry detergent and hot water costs!
- EcoWasher® is a chemical free device and is perfect for sensitive skin!

WASHING MACHINE CLEANING

Remove the "gunk" buildup caused by detergents by deep cleaning before using the EcoWasher® to ensure that you are getting the best performance out of your EcoWasher® and will extend the life of your washing machine. This requires vinegar, baking soda and a rag or cloth.

Top Load Instructions:

1) Select hot water on the largest load setting. Add 4 cups of vinegar and let the machine agitate for 1 minute.

2) Add 1/2 cup baking soda and allow machine to run again for 1 minute to mix up the baking soda. Pause the washer after 1 minute and allow the solution to sit for 1 hour. This gives the solution time to break down all the residue. Continue the wash cycle after 1 hour is complete.

3) After the rinse cycle is finished, run another hot wash cycle on the largest load setting and let it run completely through.

5) After proper installation (see install instructions), run the EcoWasher with no laundry on a large load, cold water setting to complete the purifying process.

Front Load Instructions:

1) Start by removing all mold/mildew from the door seal. This will require the use of vinegar and a rag. An old toothbrush is also a great tool for cleaning crevices.

2) Once the door seal is cleaned, remove the soap dispenser tray from the machine and clean it thoroughly using vinegar and a rag. Be sure to also clean the inside of the machine as well (the slot where the tray was removed from). Once these are cleaned, replace the soap tray.

3) Add 1/2 cup of baking soda directly into the washing tub of the machine and then close the door. Slowly pour 4 cups of vinegar into the soap dispenser, allowing it to drain down into the tub.

4) Select hot water on the largest load setting and allow it to fill up. Then, pause the washer after 1 minute and allow the solution to sit for 1 hour to break down detergent residue. Continue the wash cycle after 1 hour is complete.

5) After rinse cycle is finished, run another hot wash cycle on the largest load setting and let it run completely through.

6) After proper installation (see instructions), run the EcoWasher with no laundry on a large load, cold water setting to complete the purifying process.

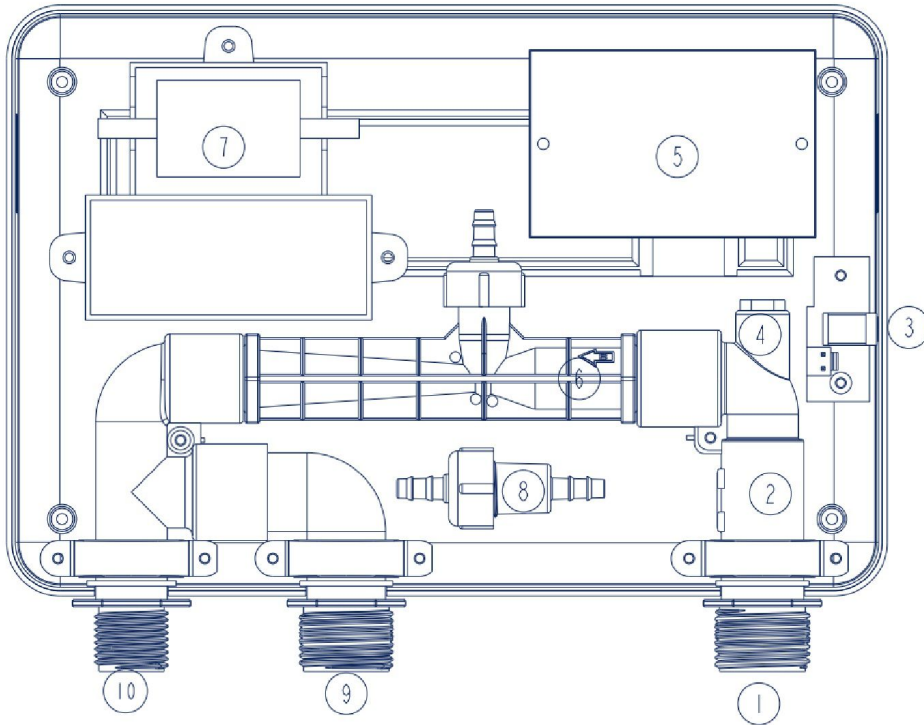
USE AND SAFETY

Please read carefully before installation:

- Disconnect the power cord before servicing.
- Maximum water inlet pressure should not exceed 100 PSI
- Use only the new hose supplied with your EcoWasher when connecting it to your washing machine. We also recommend replacing any existing washing machine hose that is more than 2 years old.
- The EcoWasher® should always be horizontally mounted with the included bracket. Do not mount the EcoWasher® vertically, upside down or at an angle.
- EcoWasher works normally in temperatures ranging from 32 degrees - 172 degrees. Always use a cold water cycle for best results. Hot water use with your EcoWasher® can yield to component failure.
- Water treated by the EcoWasher® is skin and food safe, but is not intended or suggested for drinking or injecting.
- EcoWasher® requires 100-240V/50-60Hz power on a 15amp fuse or circuit breaker.
- A dedicated electrical outlet circuit, equipped with an approved GFCI outlet is recommended for supplying power to your EcoWasher®
- Never use an extension cord or power adapter other than the one provided with your EcoWasher®
- Important - Water Pressure of 20PSI - 100PSI is required for correct operation of the EcoWasher® and for adequate disinfection.
- Water quality may affect the performance of your EcoWasher®. If you have hard/well water, it is recommended to use a water softener or other pre-filter.
- Never install the EcoWasher® in an area where water could freeze. In the event where your piping may freeze, you should disconnect the unit from your washing machine to avoid damage.

PRODUCT DIAGRAM

WASHING MACHINE INSTALLATION



- | | |
|------------------------|-------------------------|
| 1 - Water Inlet (3/4") | 6 - Venturi Tube |
| 2 - Water Flow Switch | 7 - Oxidizing Module |
| 3 - Power Supply | 8 - Check Valve |
| 4 - Water Temp. Sensor | 9 - Water Outlet (3/4") |
| 5 - Control Board | 10 - Hose Outlet (1/2") |

1) Choose an area on your wall near your washing machine for installation. This area should close to a power outlet and your home's water inlet (where your current laundry hose is located.)

2) Hold the metal mounting plate in the desired location (with the tabs facing out). Mark your screw holes with a pen, then place the screws and secure the mounting plate evenly on the wall.

3) Align the 3 mounting sockets on the backside of the unit with the mouting plate and carefully slide the unit down into place until it feels secure.

4) Turn off your home's cold water and hot water supply faucet, if you have not already.

5) Turn your washing machine settings to "COLD" water only and run the washing machine for a few minutes to help remove excess water and pressure from the cold water hose.

INSTALLATION (Cont.)

6) Remove your existing hose from the cold water faucet but keep the hose attached to your washing machine. Attach the other end of your existing hose to the water "OUTLET" on the EcoWasher® (See the product diagram on page 8). Do NOT overtighten. Just make sure the fit is secure.

Note: Make sure your existing hose is in good, functional condition. Replace the hose if it appears worn out.

7) Attach the hose included with the EcoWasher® to the water "INLET" on the unit. Attach the other end to the cold water faucet. Tighten both ends of the hose, but be careful not to overtighten.

8) The final hose to attach is the auxillary hose. This hose allows you to extract the powerful oxidized water from the EcoWasher® so that it can be used for other cleaning and disinfecting tasks beyond the laundry! Attach this hose to the "HOSE OUTLET."


9) Slowly turn your home's cold water supply faucet back on. Make sure there is no leaking from any of the cold water hose lines.

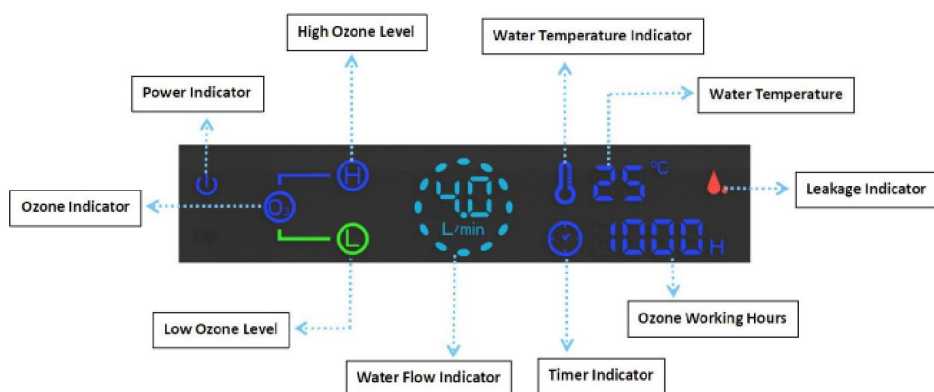
10) Plug in the DC adapter to the EcoWasher, then plug into the power outlet. The installation is now complete.

11) Before running your first load of laundry with your EcoWasher®, we suggest following the "Washing Machine Cleaning Instructions" listed on pages 4 and 5 of this user manual.

Note: Please continue reading operation instructions on the following pages before operating your EcoWasher®

GENERAL OPERATION

- 1) After successful installation and power connection, the EcoWasher® unit will chime once and the power indicator light  will be illuminated. At this time, the machine will be in standby mode until water flow is active.
- 2) When you begin a wash cycle and water begins to flow, the EcoWasher® will turn on and power into a default high concentration ozone level displayed by a **BLUE "H"** light.
- 3) When water is finished flowing through the EcoWasher® and into your washing machine, the unit will return to stand-by mode until the rinse cycle begins.



SETTINGS & INDICATOR LIGHTS

To adjust the ozone concentration level, press the O3 touch key on the display panel (See illustration on page 12)


- In **LOW MODE**, the O3 and "**L**" Indicator lights will display in **GREEN**. This ozone concentration setting is recommended for delicate fabrics such as silk or lace.
- In **HIGH MODE**, the O3 and "**H**" Indicator lights will display in **BLUE**. This is the default ozone concentration setting and is recommended for your typical day-to-day clothing items, towels, white fabrics or heavily soiled items.
- In **OFF MODE** (no ozone) the indicator lights will not display any color.

Additional Display Indicators (see Illustration on page 12)


- Water Flow Indicator - Measures the real time flow of water during the wash cycle.
- Water Temperature Indicator - Displays the real time water flow temperature during the wash cycle.
- Ozone Hours Indicator - Records and displays the service hours of the ozone generator.

ALARM INDICATORS

Moisture Alarm

When a leak is detected within the EcoWasher®, the unit will display a water leak indicator icon  shown in **RED**, accompanied by a buzzing alarm sound. It is possible that your EcoWasher® moisture alarm may activate without any visible leaks present. This moisture alarm can be triggered by condensation build-up within the unit. In such an event, please unplug your EcoWasher® from power for up to 24 hours and allow the condensation to dry.

Ozone Module Alarm

When an issue is detected with the EcoWasher® ozone generator, the control board will automatically cut off power to the ozone generator component. Additionally, the O₃ indicator  will display a **RED** light. In the event of an ozone issue, it is suggested to first unplug your EcoWasher® from power for 15-20 minutes to reset the unit and then try again.

If alarm indicators persist, contact our customer support team at 800-599-5191 or online at www.ecowasher.com

OTHER USAGE NOTES

Daily Use of EcoWasher®

The use of EcoWasher® is very easy after proper installation. Simply operate your washing machine according to the manufacturers instructions on a cold water setting only for best results.

Non-Use or Vacation Care

If you are on vacation or won't be operating your EcoWasher® for an extended period of time, we recommend that you unplug the power supply to the washing machine and EcoWasher® and turn off your water supply valve. This will help to avoid accidental flooding due to water pressure surge while you are away.

Stains

We suggest that you pre-treat stains as you normally would when doing laundry. No laundry detergent is required for normal to moderately soiled garments. For heavily soiled garments, we suggest adding an extra rinse cycle to the wash load according to your washing machines settings.

AUXILIARY HOSE FEATURES

Take the Purifying Power of EcoWasher® Beyond the Laundry Room with New Auxiliary Hose Attachment!

EcoWasher® doesn't stop at your clothing, towels and linens! Now equipped with an optional auxiliary spray hose attachment, you can now easily extract powerful, oxidized water from your EcoWasher® to fight odors, stains and bacteria right at the source! Simply attach the included hose to activate an on-demand cleaning solution. From floors to countertops, EcoWasher® creates an exciting, fun, and easy to use way to transform your cleaning routine!

1) Use EcoWasher® to Clean Your Carpets!

Use the auxiliary hose on your EcoWasher® to fill your carpet extractor with powerful oxidized water to help lift stubborn dirt and stains from your carpets and rugs.

2) Use EcoWasher® to Clean Your Hard Floors!

Fill your mop bucket or electronic floor cleaner with water from your EcoWasher® to break down grime, clean up after spills, and leave your floors sparkling!

3) Use EcoWasher® to Clean Surfaces!

From countertops, to door handles - these commonly touched surfaces are crawling with germs! Dedicate an empty spray bottle and fill it with water from your EcoWasher® to spray and wipe these surfaces to fight bacteria!

4) Use EcoWasher® to Clean Your Food Items!

Did you know most store-bought produce items contain traces of pesticides and preservatives that can be potentially harmful to your health - and to the taste of your food! Give your fresh fruits, veggies and meats a quick spray bath from your EcoWasher® to remove these chemicals for healthier and tastier eating!

Note - *Because the potency of the oxidized water generated by the EcoWasher® has a limited "shelf life", the auxiliary hose feature included with your EcoWasher® should be treated as an "on-demand" cleaning tool and used within 30-45 minutes for the highest ozone concentration and best results.*

FREQUENTLY ASKED QUESTIONS

Will EcoWasher® work with my washing machine?

EcoWasher® can be used with almost any residential style washing machine. It is not intended for use on industrial style machines.

Does EcoWasher® work with all water types?

EcoWasher® will work with both standard city water, hard or well water supplies. However, better water quality will yield the best results. If you have hard water, we suggest to install a water softener for improved water quality and mineral filtration.

Is EcoWasher® safe?

We put your health and safety first! EcoWasher® and its purification technology are perfectly safe to use for your laundry, as well as a multitude of other cleaning tasks in your home or small business. In fact, similar technology has been used for decades by hospitals and other institutions for laundry and other disinfecting uses!

Do tough stains need to be pre-treated?

While the EcoWasher® is tough on dirt and stains, you may continue to treat stubborn stains with your method of choice. We also suggest setting your washing machine to an extra rinse cycle for an extra boost of clean!

Why do I need to use cold water?

During regular operation, EcoWasher® generates powerful cleansing molecules to destroy odors, lift dirt and destroy germs without the use of hot water or detergent. This generated cleaning agent is most powerful when combined with cold water, as warm temperatures can cause ozone levels to rapidly deplete.

What's that smell?

If you are smelling an aroma in your laundry room or washing area during regular operation, have no fear! This scent is generated by your EcoWasher® and occurs as powerful cleansing molecules are combined with the water.

TROUBLESHOOTING

EcoWasher® fails to power on -

If the EcoWasher® does not show any signs of life after proper installation, it is likely due to power supply connection issue. Be sure to check the power cord for secure connection. Also double check to make sure that your cold water supply is turned to the on position to allow for proper water flow to the EcoWasher® unit. Remember, the EcoWasher® will remain in stand-by mode until the washing machine is running.

EcoWasher® is displaying a flashing RED light -

A flashing red light is an indication of an issue with the ozone generator, or a leak has been detected.

1) If the ozone indicator  is flashing **RED**, unplug your EcoWasher® from power for 15-20 minutes to reset the unit and then try again.

2) If the moisture indicator  is flashing **RED** and creating an alarm sound, immediately turn off the water supply and unplug the unit, and contact our customer support team at 800-599-5191.

EcoWasher® is not emitting an ozone smell -

With proper installation, you should typically notice the aroma of ozone in your laundry room or near your washing machine during the wash cycle. If you do not smell ozone -

1) Make sure the EcoWasher® is set to the correct ozone mode (see page 13 for settings).

2) Check for an obstructions in the connections between the EcoWasher® and the washing machine which could hinder water flow such as a pinched or twisted hose line.

If you believe there is a further ozone related issue, please unplug your EcoWasher® and contact our customer support team at 800-599-5191.

Appearance of Suds in the Wash Basin -

While EcoWasher® requires no detergent, it is common to still see suds in the wash basin occasionally due to detergent build-up in your laundry. These suds will diminish as the EcoWasher® breaks down the chemicals.

PRODUCT SPECIFICATIONS



Product Name	EcoWasher® SE
Model Number	EW-SE
Power Input	AC 100-240V / 50-60Hz
Power Output	DC 12V 3A / 36 W
Water Pressure	20 PSI - 100 PSI
Water Flow	3.5 - 8 L / Minute
Ozone Concentration (In Water)	0 - 1/2 mg/L (Adjustable)
Product Dimensions	9.44 x 7.3 x 2.5 Inches
Product Weight	2.7 lbs

WARRANTY INFORMATION

To register your EcoWasher warranty, please fill out the included warranty card, or fill out our online registration form at www.ecowasher.com/register

Verified EcoWasher purchases are warranted to be free from all defects in material and workmanship in normal household use for a period of one (1) year from the date of purchase.

The warranty is granted to the original purchaser, or original receiver of the unit. The warranty is subject to the following provisions: any damages or malfunctions caused by negligence, abuse or unauthorized service are not covered.

Toth Group Inc (Official Distributor of EcoWasher) will, at its option, repair or replace a defective EcoWasher or EcoWasher part that is covered under this warranty. As a matter of warranty policy, refunds will only be given within the first 30 days after purchase. Unless the warranty is renewed or extended with authorization from Toth Group, any repaired or replaced part of the unit shall be warranted for the remaining unexpired portion of the original warranty period.

For questions regarding your EcoWasher, please call 800-599-5191, or email us at service@ecowasher.com



Learn More at
www.ecowasher.com